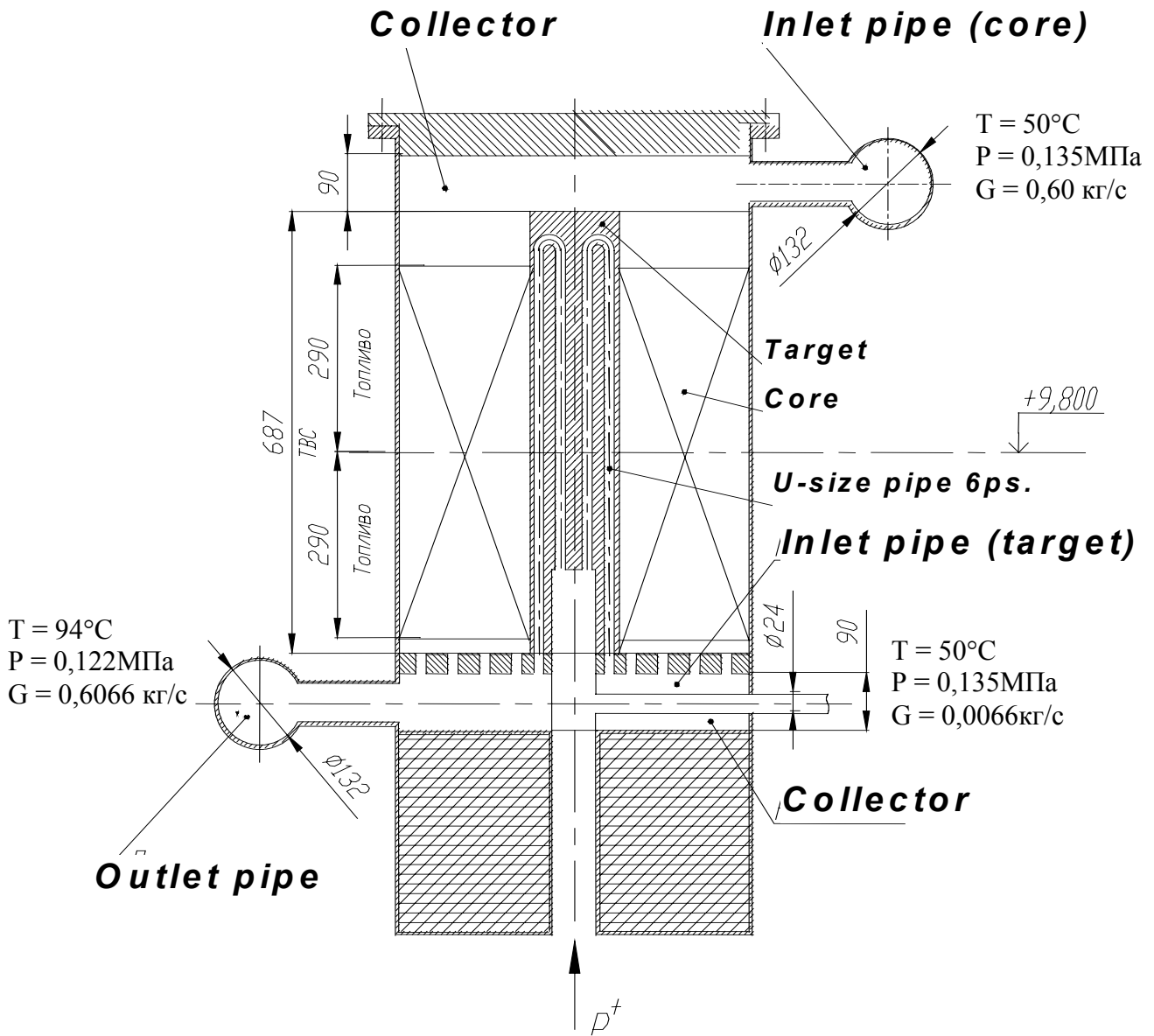


7 Thermal hydraulics calculations of the SAD core and target



T, C

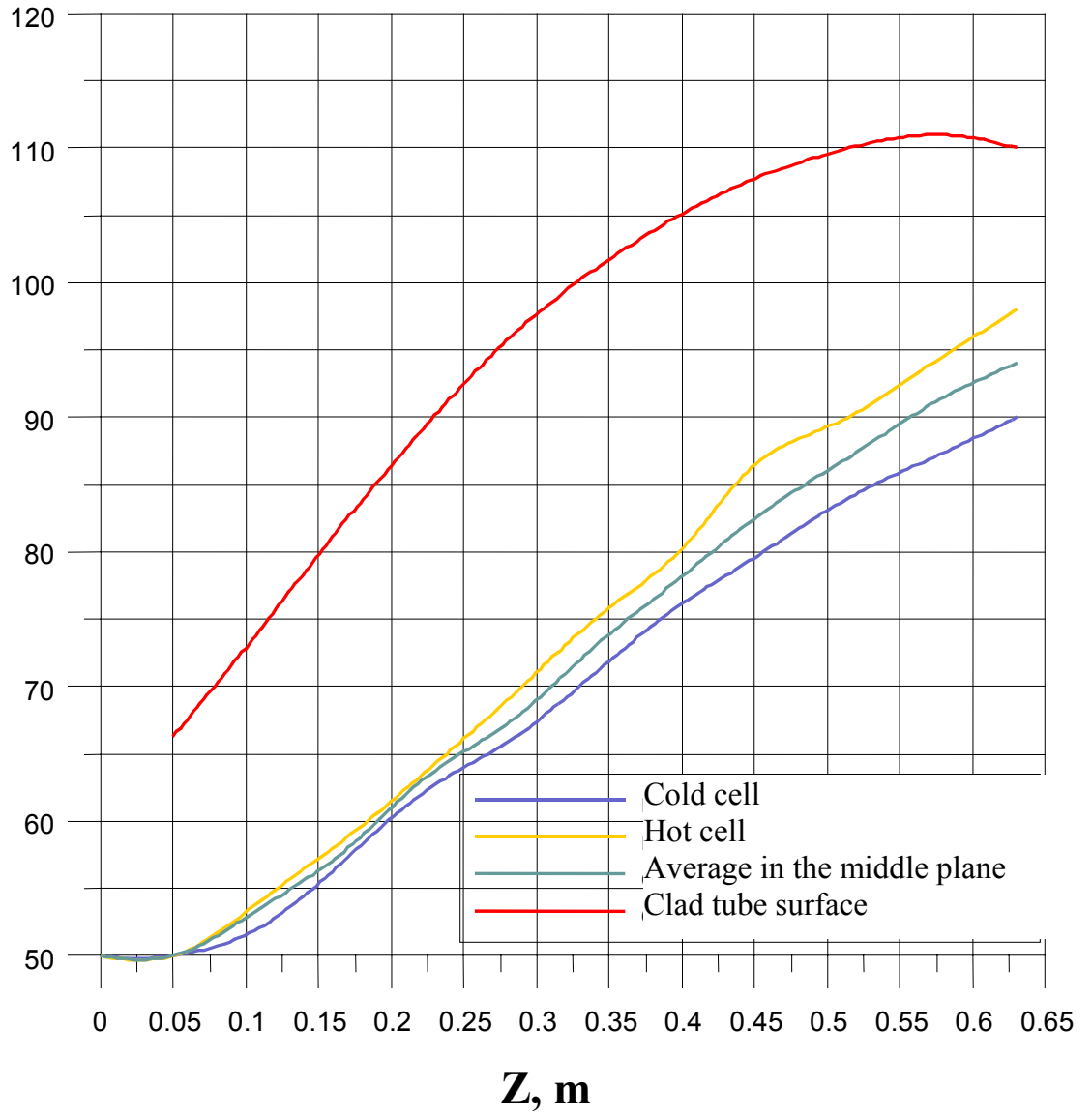


Figure 1 Height distribution of the coolant temperature inside core in the most cold and most cold cells and clad tube surface in hot cell

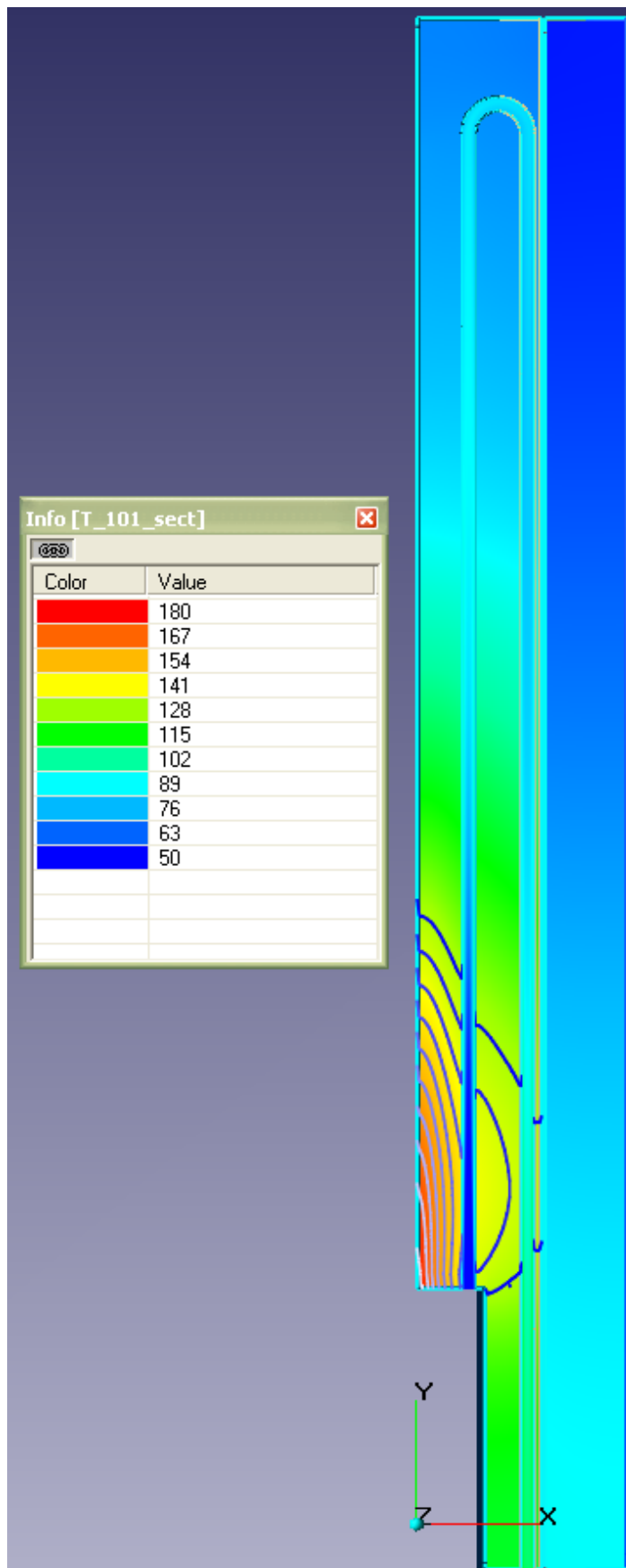


Figure 2: Temperature field inside lead target (section plane through cooling pipes)

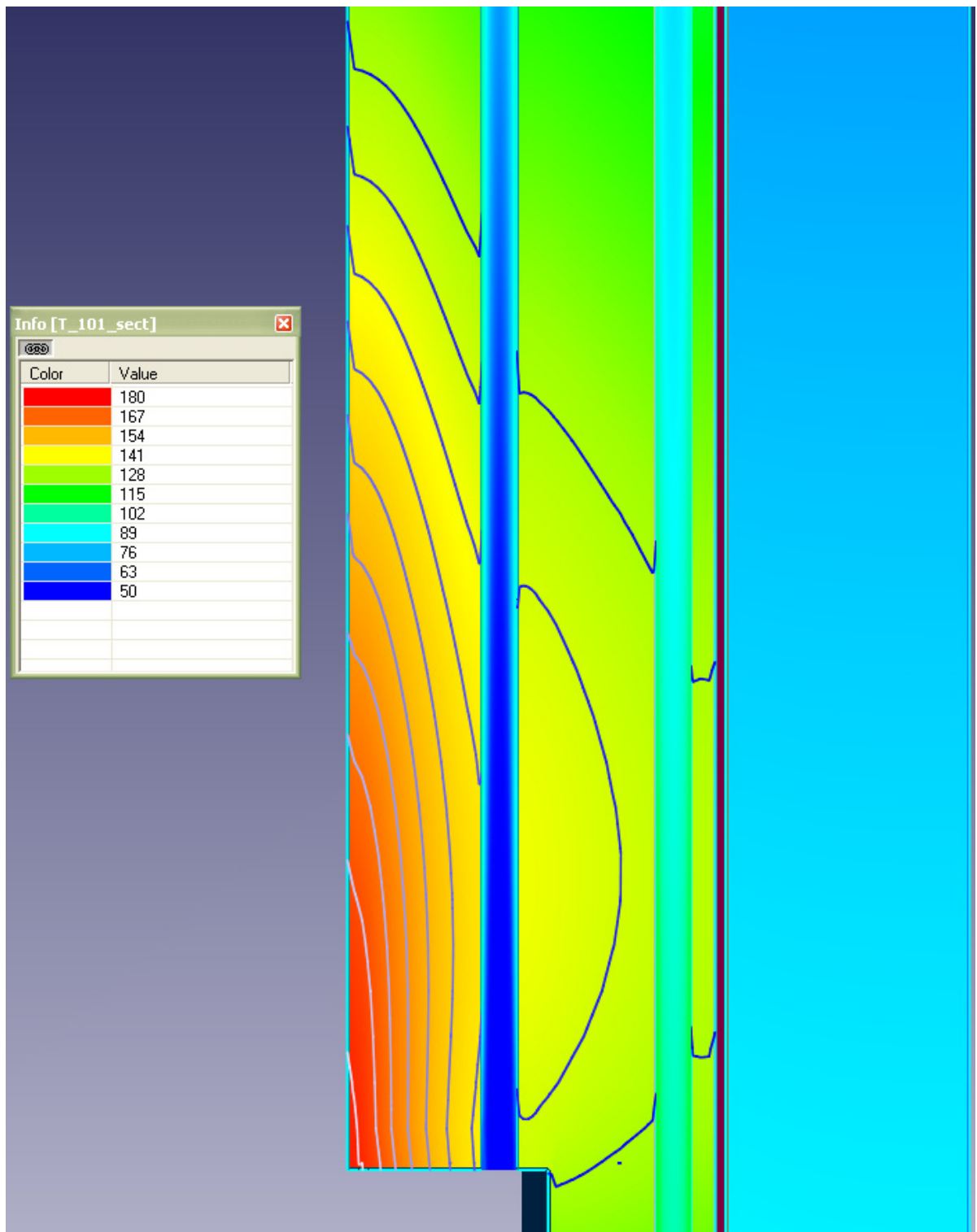


Figure 3: Temperature field inside lead target (section plane between cooling pipes)